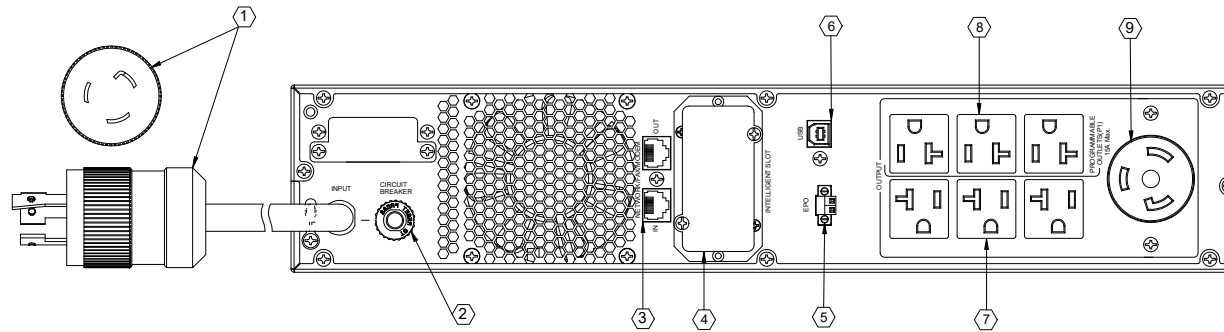
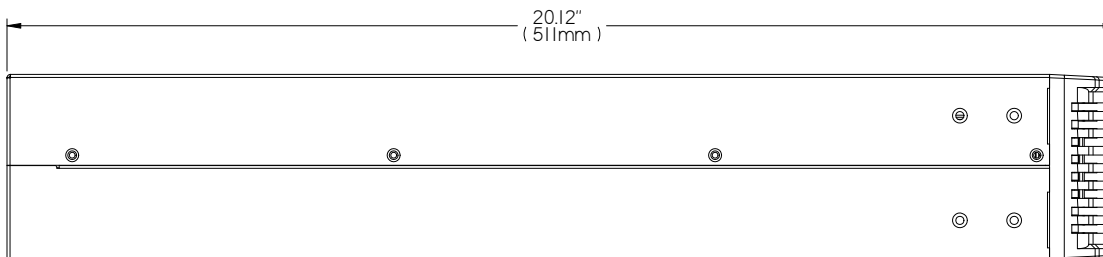


FRONT VIEW



REAR VIEW



SIDE VIEW

- ① INPUT POWER CORD: NEMA L5-20P WITH 10 FOOT ATTACHED CORD
- ② 20A INPUT BREAKER
- ③ RJ11/RJ-45 DATA LINE CONNECTORS
- ④ INTELLISLOT PORT. NETWORK COMMUNICATIONS CARD OPTIONAL
- ⑤ EPO CONNECTOR
- ⑥ USB PORT
- ⑦ OUTPUT RECEPTACLES: 3 NEMA 5-20R ALWAYS ON
- ⑧ OUTPUT RECEPTACLES: 3 NEMA 5-20R PROGRAMMABLE GROUP
- ⑨ OUTPUT RECEPTACLE: NEMA L5-20R
- ⑩ ON/MUTE BUTTON
- ⑪ SELECT BUTTON
- ⑫ OFF/ENTER BUTTON

NOTES:

- 1. UNIT DIMENSIONS: 17.2" x 3.4" x 20.1" (438mm) x (86mm) x (511mm)
- 2. UNIT WEIGHT: 39.57lbs (17.95kg)
- 3. SHIPPING DIMENSIONS: 22.4" x 10.2" x 26.5" (570mm) x (258mm) x (672mm)
- 4. SHIPPING WEIGHT: 53.8lbs (24.4kg)
- 5. MINIMUM AIRFLOW CLEARANCE IS 4.0" (100.0mm) FRONT/REAR
- 6. FIXED RAIL KIT: INCLUDED
- 7. ALL SITE WIRING IS TO BE IN COMPLIANCE WITH NATIONAL AND LOCAL ELECTRIC CODES.
- 8. INCLUDES L5-20R TO NEMA 5-20P ADAPTER.
- 9. UNIT INPUT: 100~125 VAC, 60/50HZ, 16A
- 10. UNIT OUTPUT: 100/110/115/120/125VAC, 60/50HZ, 1920VA/1920W, 15.4A, @125VAC INPUT OR 1920VA/1920W, 16A, @120VAC INPUT OR 1840VA/1840W, 16A, @115VAC INPUT OR 1632VA/1632W, 14.8A, @110VAC INPUT OR 1600VA/1600W, 16A, @100VAC INPUT

DRAWN BY B. LAY	SHEET NO. 1 OF 1	PSI5 2200RT120LI	DWG. NO. PSI5 2200RT120LI	DATE 12/18/20	REV. # 1	1050 DEARBORN DRIVE P.O. BOX 29186 COLUMBUS, OHIO 43229	
CHK BY N. SECORD	ECN NO.						
REF. DWG.	ORDER NO.						